

## TL-200 PRODUCT SHEET

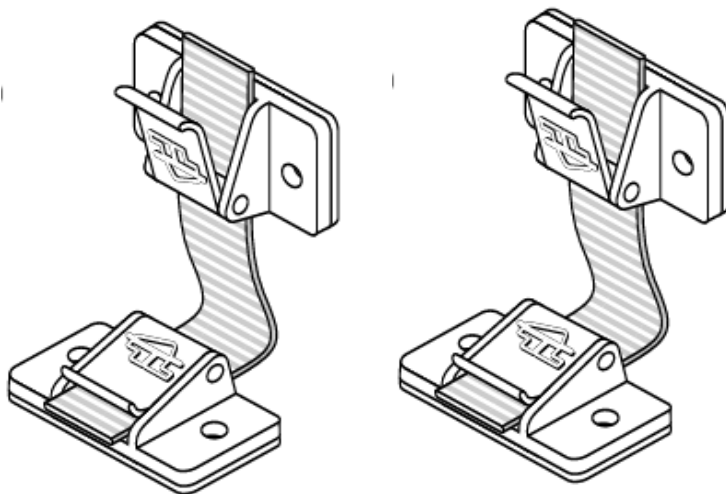
Kit contains: 4 each T-2 fasteners and 2 each 3/4" wide locking straps- 4" long

### Color Choice:

TL-200BK : Back

TL-200GY: Computer Gray

TL-200WT: White



### **BASE**

INJECTION MOLDED DELTA D-120 ABS PLASTIC MATERIAL

### **STRAP**

POLYESTER WEBBING COATED WITH POLYURETHANE, 3/4" WIDE x 0.06" THICK

### **ADHESIVE**

1"x2", 0.045, 3M4941 ADH. PAD

### **RELEASE LINER**

PAPER LINER

### **RECOMMENDED WEIGHT LIMIT**

100 LBS. Per kit

sheet effective 6-1-09

For More Information please contact:

READY AMERICA, INC.  
Dennis Johnson  
National Sales Manager  
805-551-1446 cell  
[dennis@readyamerica.com](mailto:dennis@readyamerica.com)

800-232-7836  
760-466-1057 fax  
1150 Simpson Way  
Escondido, CA 92029

[www.fasteningsolutions.com](http://www.fasteningsolutions.com)  
[www.quakeholdindustrial.com](http://www.quakeholdindustrial.com)